

INSTALLATION INSTRUCTIONS 27" (68.6 CM) AND 30" (76.2 CM) ELECTRIC BUILT-IN MICROWAVE/OVEN COMBINATION

INSTRUCTIONS D'INSTALLATION - FOUR CONVENTIONNEL ET FOUR À MICRO-ONDES ÉLECTRIQUES, COMBINÉS ET ENCASTRÉS DE 27" (68,6 CM) ET 30" (76,2 CM)

Table of Contents/Table des matières

BUILT-IN MICROWAVE/OVEN COMBINATION SAFETY.....	1	SÉCURITÉ DU FOUR À MICRO-ONDES ET DU FOUR CONVENTIONNEL COMBINÉS ET ENCASTRÉS.....	7
INSTALLATION REQUIREMENTS	2	EXIGENCES D'INSTALLATION	7
Tools and Parts	2	Outillage et pièces	7
Location Requirements	2	Exigences d'emplacement	7
Electrical Requirements	3	Spécifications électriques	9
INSTALLATION INSTRUCTIONS	4	INSTRUCTIONS D'INSTALLATION.....	9
Prepare Built-In Microwave/Oven Combination.....	4	Préparation de l'ensemble des fours encastrés (micro-ondes/conventionnel)	9
Remove Oven Door.....	4	Dépose de la porte du four	10
Make Electrical Connection	4	Raccordement électrique.....	10
Install Oven.....	5	Installation du four.....	11
Complete Installation	6	Achever l'installation	12

BUILT-IN MICROWAVE/OVEN COMBINATION SAFETY

Your safety and the safety of others are very important.

We have provided many important safety messages in this manual and on your appliance. Always read and obey all safety messages.



This is the safety alert symbol.

This symbol alerts you to potential hazards that can kill or hurt you and others.

All safety messages will follow the safety alert symbol and either the word "DANGER" or "WARNING."

These words mean:

⚠ DANGER

You can be killed or seriously injured if you don't immediately follow instructions.

⚠ WARNING

You can be killed or seriously injured if you don't follow instructions.

All safety messages will tell you what the potential hazard is, tell you how to reduce the chance of injury, and tell you what can happen if the instructions are not followed.

IMPORTANT:

Save for local electrical inspector's use.

IMPORTANT :

À conserver pour consultation par l'inspecteur local des installations électriques.

INSTALLATION REQUIREMENTS

Tools and Parts

Gather the required tools and parts before starting installation. Read and follow the instructions provided with any tools listed here.

Tools needed

- Phillips screwdriver
- Measuring tape
- Hand or electric drill (for wall cabinet installations)
- 1" (25 mm) drill bit (for wall cabinet installations)
- Level

Parts needed

- UL listed or CSA approved conduit connector
- UL listed wire connectors

Parts supplied

- # 8-14 x 1" screws - single oven (2), double oven (4)
- Bottom vent (supplied on some models)
- Two # 8-18 x 3/8" screws - bottom vent (supplied on some models)

Check local codes. Check existing electrical supply. See "Electrical Requirements."

It is recommended that all electrical connections be made by a licensed, qualified electrical installer.

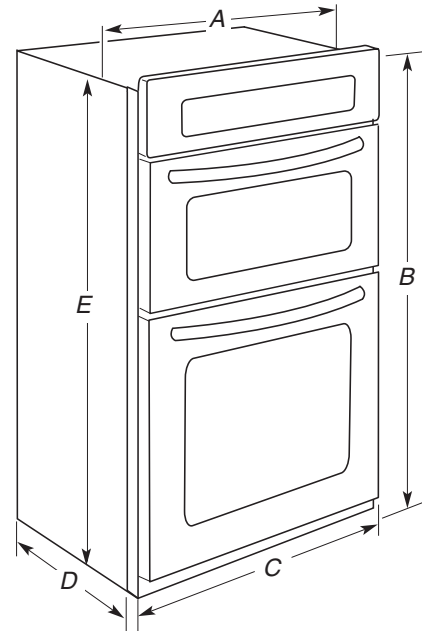
Location Requirements

IMPORTANT: Observe all governing codes and ordinances.

- Cabinet opening dimensions that are shown must be used. Given dimensions provide minimum clearance with oven.
- Recessed installation area must provide complete enclosure around the recessed portion of the oven.
- Grounded electrical supply is required. See "Electrical Requirements" section.
- Electrical supply junction box should be located 3" (7.6 cm) maximum below the support surface when the oven is installed in a wall cabinet. A 1" (2.5 cm) minimum diameter hole should have been drilled in the right rear or left rear corner of the support surface to pass the appliance cable through to the junction box.
- Oven support surface must be solid, level and flush with bottom of cabinet cutout. Floor must be able to support a total weight (microwave and built-in oven) of 238 lbs (108 kg).

Product Dimensions

27" (68.6 cm) and 30" (76.2 cm) Ovens



27" (68.6 cm) models

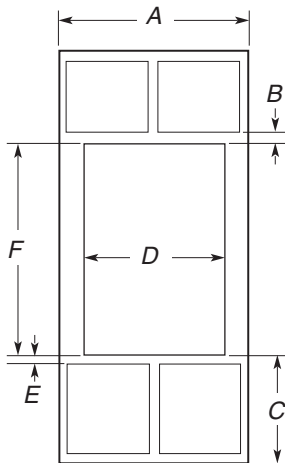
- A. 25 5/16" (64.3 cm) recessed width
- B. 42 5/16" (107.5 cm) overall height
- C. 26 3/4" (67.9 cm) overall width
- D. 23" (58.4 cm) max. recessed depth
- E. 40 3/4" (103.5 cm) recessed height

30" (76.2 cm) models

- A. 28 5/16" (71.9 cm) recessed width
- B. 42 5/16" (107.5 cm) overall height
- C. 29 3/4" (75.6 cm) overall width
- D. 23" (58.4 cm) max. recessed depth
- E. 40 3/4" (103.5 cm) recessed height

Cabinet Dimensions

27" (68.6 cm) and 30" (76.2 cm) Ovens



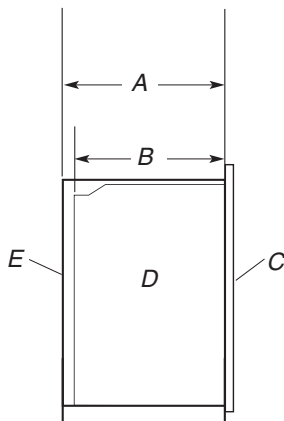
27" (68.6 cm) models

- A. 27" (68.6 cm) min. cabinet width
- B. 1" (2.5 cm) top of cutout to bottom of upper cabinet door
- C. 19 1/4" (48.9 cm) bottom of cutout to floor
- D. 25 1/2" (64.8 cm) cutout width
- E. 1 1/2" (3.8 cm) min. bottom of cutout to top of cabinet door
- F. 41 1/4" (104.8 cm) cutout height

30" (76.2 cm) models

- A. 30" (76.2 cm) min. cabinet width
- B. 1" (2.5 cm) top of cutout to bottom of upper cabinet door
- C. 19 1/4" (48.9 cm) bottom of cutout to floor
- D. 28 1/2" (72.4 cm) cutout width
- E. 1 1/2" (3.8 cm) min. bottom of cutout to top of cabinet door
- F. 41 1/4" (104.8 cm) cutout height

Cabinet Side View



- A. 23 1/4" (59.1 cm) min. cutout depth
- B. 23" (58.4 cm) recessed oven depth
- C. Oven front
- D. Recessed oven
- E. Cabinet

Electrical Requirements

If codes permit and a separate ground wire is used, it is recommended that a qualified electrical installer determine that the ground path and wire gauge are in accordance with local codes.

Check with a qualified electrical installer if you are not sure the oven is properly grounded.

This oven must be connected to a grounded metal, permanent wiring system.

Be sure that the electrical connection and wire size are adequate and in conformance with the National Electrical Code, ANSI/NFPA 70-latest edition or CSA Standards C22.1-94, Canadian Electrical Code, Part 1 and C22.2 No. O-M91-latest edition, and all local codes and ordinances.

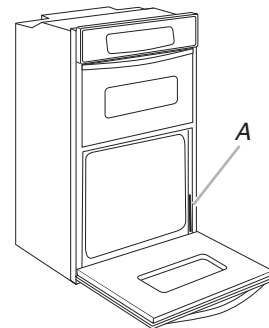
A copy of the above code standards can be obtained from:

National Fire Protection Association
One Batterymarch Park
Quincy, MA 02269
CSA International
8501 East Pleasant Valley Road
Cleveland, OH 44131-5575

Electrical Connection

To properly install your oven, you must determine the type of electrical connection you will be using and follow the instructions provided for it here.

- Oven must be connected to the proper electrical voltage and frequency as specified on the model/serial number rating plate. The model/serial number rating plate is located at the bottom of the right-hand mounting rail. See the following illustration.



A. Model/serial number plate

- Models rated from 7.3 to 9.6 kW at 240 volts (5.5 to 7.2 kW at 208 volts) require a separate 40-amp circuit. Models rated at 7.2 kW and below at 240 volts (5.4 kW and below at 208 volts) require a separate 30-amp circuit.
- A time-delay fuse or circuit breaker is recommended.
- Connect directly to the fused disconnect (or circuit breaker box) through flexible, armored or nonmetallic sheathed, copper cable (with grounding wire). See "Make Electrical Connection" section.

- Flexible cable from the oven should be connected directly to the junction box.
- Fuse both sides of the line.
- Do not cut the conduit. The length of conduit provided is for serviceability of the oven.
- A UL listed or CSA approved conduit connector must be provided.

■ If the house has aluminum wiring follow the procedure below:

1. Connect a section of solid copper wire to the pigtail leads.
2. Connect the aluminum wiring to the added section of copper wire using special connectors and/or tools designed and UL listed for joining copper to aluminum.

Follow the electrical connector manufacturer's recommended procedure. Aluminum/copper connection must conform with local codes and industry accepted wiring practices.

INSTALLATION INSTRUCTIONS

Prepare Built-In Microwave/Oven Combination

1. Decide on the final location for the oven. Locate existing wiring to avoid drilling into or severing wiring during installation.

! WARNING

Excessive Weight Hazard

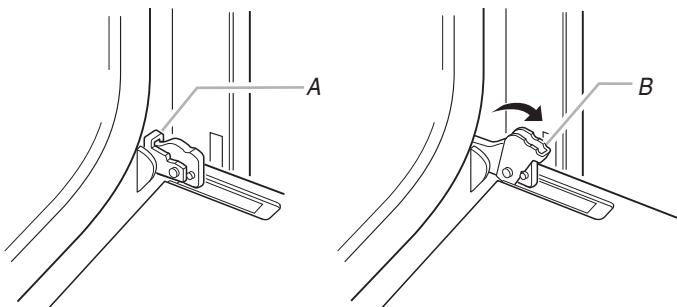
**Use two or more people to move and install oven.
Failure to do so can result in back or other injury.**

2. To avoid floor damage, set the oven onto cardboard prior to installation. Do not use handle or any portion of the front frame for lifting.
3. Remove the shipping materials and tape from the oven.
4. Remove the hardware package from inside the bag containing literature.
5. Remove and set aside racks and other parts from inside the oven.
6. Move oven and cardboard close to the oven's final location.

Remove Oven Door

IMPORTANT: Use both hands to remove oven door(s).

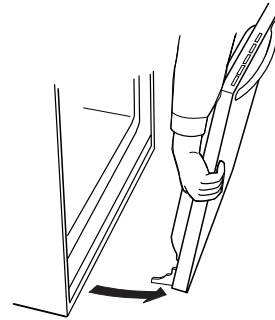
1. Open the oven door.
2. Locate the oven door latches in both corners of the oven door, and rotate the latches forward to the unlocked position.



A. Oven door latch in locked position

B. Oven door latch in unlocked position

3. Grasp the edges of the oven door with both hands and close the oven door until it will no longer close. Lift and pull oven door toward you and remove. Set the oven door(s) aside on a covered work surface.



Make Electrical Connection

! WARNING



Electrical Shock Hazard

Disconnect power before servicing.

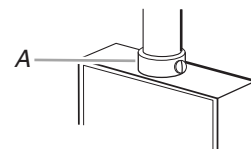
Use 8 gauge solid copper wire.

Electrically ground oven.

Failure to follow these instructions can result in death, fire, or electrical shock.

This oven is manufactured with a neutral (white) power supply wire and a cabinet-connected green (or bare) ground wire twisted together.

1. Disconnect power.
2. Feed the flexible cable conduit from the oven through the opening in the cabinet.
3. Remove junction box cover if it is present.
4. Install a UL listed or CSA approved conduit connector to the junction box.



A. UL listed or CSA approved conduit connector

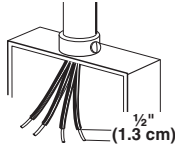
- Route the flexible cable conduit from the oven to the junction box through a UL listed or CSA approved conduit connector.
- Tighten screws on conduit connector.
- See "Electrical Connection Options Chart" to complete installation for your type of electrical connection.

Electrical Connection Options Chart

If your home has:

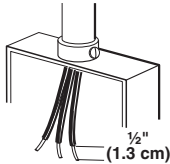
Go to section:

4-wire



4-wire Cable from Home Power Supply

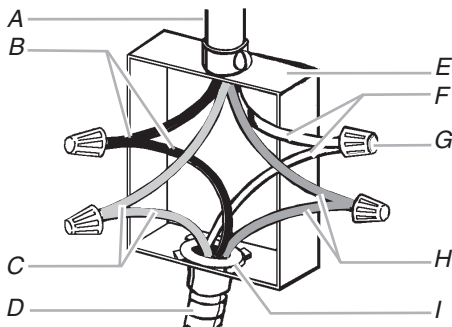
3-wire



3-wire Cable from Home Power Supply

4-Wire Cable from Home Power Supply

IMPORTANT: Use the 4-wire cable from home power supply in the U.S. where local codes do not allow grounding through neutral, New Branch circuit installations (1996 NEC), mobile homes and recreational vehicles, new construction and in Canada.

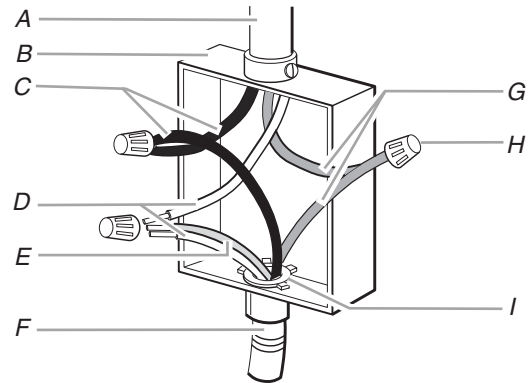


- | | |
|------------------------------------|--|
| A. Cable from home power supply | F. White wires |
| B. Black wires | G. UL listed wire connectors |
| C. Red wires | H. Green (or bare) ground wires |
| D. 4-wire flexible cable from oven | I. UL listed or CSA approved conduit connector |
| E. Junction box | |

- Connect the 2 black wires (B) together using a UL listed wire connector.
- Connect the 2 red wires (C) together using a UL listed wire connector.
- Untwist white wire from green (or bare) ground wire coming from the oven.
- Connect the 2 white wires (F) together using a UL listed wire connector.
- Connect the green (or bare) ground wire (H) from the oven cable to the green (or bare) ground wire (in the junction box) using a UL listed wire connector.
- Install junction box cover.

3-Wire Cable from Home Power Supply - U.S. Only

IMPORTANT: Use the 3-wire cable from home power supply where local codes permit a 3-wire connection.



- | | |
|--|--|
| A. Cable from home power supply | F. 4-wire flexible cable from oven |
| B. Junction box | G. Red wires |
| C. Black wires | H. UL listed wire connectors |
| D. White wires | I. UL listed or CSA approved conduit connector |
| E. Green (or bare) ground wire (from oven) | |

- Connect the 2 black wires (C) together using a UL listed wire connector.
- Connect the 2 white wires (D) and the green (or bare) ground wire (of the oven cable) using a UL listed wire connector.
- Connect the 2 red wires (G) together using a UL listed wire connector.
- Install junction box cover.

Install Oven

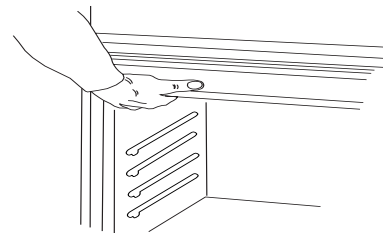
⚠ WARNING

Excessive Weight Hazard

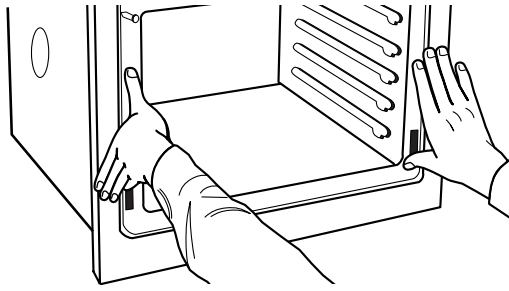
**Use two or more people to move and install oven.
Failure to do so can result in back or other injury.**

- Using 2 or more people, lift oven partially into cabinet cutout using the oven opening as an area to grip.

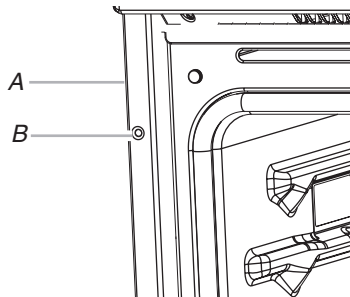
NOTE: Push against seal area of oven front frame when pushing oven into cabinet. Do not push against outside edges.



2. Push against seal area of front frame to push oven into cabinet.

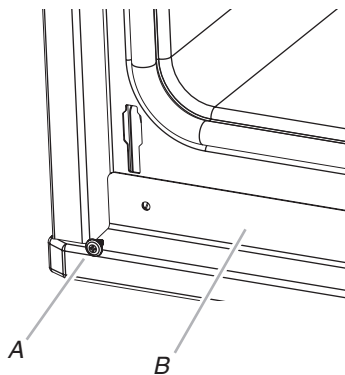


3. Push oven completely into cabinet and center oven into cabinet cutout.
4. Securely fasten oven to cabinet using the #8-14 x 1" screws (2 for single oven, 4 for double oven) provided. Insert the screws through holes in mounting rails. Do not overtighten screws.



A. Mounting rail
B. Insert #8-14 x 1" screw.

5. On some models, the oven vent is taped to the side of the oven.
With one #8-14 x 3/8" screw for each side of the vent, fasten vent securely to the oven.



A. #8-14 x 3/8" screw
B. Oven vent

6. Replace oven racks.
7. Replace oven door(s) by inserting ends of hinges into hinge slots in the oven frame.
8. Push hinges in as far as they will go and open the oven door. You should feel the oven door drop into place.
9. Rotate both hinge latches back to the locked position.
10. Check that the door is free to open and close. If it is not, repeat the removal and installation procedures. See "Remove Oven Door" section.
11. Reconnect power.

12. Display panel will light briefly, and "PF" should appear in the display.
13. If display panel does not light, please reference the "Assistance or Service" section of the Use and Care Guide or contact the dealer from whom you purchased your oven.

Complete Installation

1. Check that all parts are now installed. If there is an extra part, go back through the steps to see which step was skipped.
2. Check that you have all of your tools.
3. Dispose of/recycle all packaging materials.
4. For oven use and cleaning, read the Use and Care Guide.

Check Operation of Lower Oven

1. Turn power on.
2. When "CLOCK ENTER TIME" appears in the lower oven display touch START.
3. Touch BROIL.
4. Touch START.

If oven does not operate, check the following:

- Household fuse is intact and tight; or circuit breaker has not tripped.
 - Electrical supply is connected.
 - See "Troubleshooting" section in the Use and Care Guide.
5. When oven has been on for 5 minutes, feel for heat.
If you do not feel heat or if an error code ("F" followed by a number plus "E" followed by a number) appears in the display, turn off the oven and contact a qualified technician.
 6. Touch LOWER OVEN OFF.

Check Operation of Microwave Oven

1. Fill a microwave-safe container with 1 cup (250 mL) of water and place container inside microwave oven. Close door firmly.
2. Set microwave oven cook time to "2:00" minutes.
3. Touch START. The interior microwave oven light should be on, and the remaining cooking time should be displayed in the upper oven display.

If microwave does not operate, check the following:

- Household fuse is intact and tight; or circuit breaker has not tripped.
 - Electrical supply is connected.
 - See "Troubleshooting" section in the Use and Care Guide.
- When display reads "1:00" minute, open microwave oven door. The microwave should stop cooking. Close door firmly. The interior microwave oven light should turn off.

4. Touch START to resume preset cycle. The microwave oven should begin cooking, and the microwave oven interior light should be on.

Let microwave oven complete cooking time. A tone will sound 3 times at the end of the cooking time, and the microwave oven will shut off.

5. Open microwave oven door and slowly remove container. Water in container should be hot.

If you need Assistance or Service:

Please reference the "Assistance or Service" section of the Use and Care Guide or contact the dealer from whom you purchased your built-in and microwave ovens.

SÉCURITÉ DU FOUR À MICRO-ONDES ET DU FOUR CONVENTIONNEL COMBINÉS ET ENCASTRÉS

Votre sécurité et celle des autres est très importante.

Nous donnons de nombreux messages de sécurité importants dans ce manuel et sur votre appareil ménager. Assurez-vous de toujours lire tous les messages de sécurité et de vous y conformer.



Voici le symbole d'alerte de sécurité.

Ce symbole d'alerte de sécurité vous signale les dangers potentiels de décès et de blessures graves à vous et à d'autres.

Tous les messages de sécurité suivront le symbole d'alerte de sécurité et le mot "DANGER" ou "AVERTISSEMENT". Ces mots signifient :

⚠ DANGER

Risque possible de décès ou de blessure grave si vous ne suivez pas immédiatement les instructions.

⚠ AVERTISSEMENT

Risque possible de décès ou de blessure grave si vous ne suivez pas les instructions.

Tous les messages de sécurité vous diront quel est le danger potentiel et vous disent comment réduire le risque de blessure et ce qui peut se produire en cas de non-respect des instructions.

EXIGENCES D'INSTALLATION

Outillage et pièces

Rassembler les outils et pièces nécessaires avant de commencer l'installation. Lire et suivre les instructions fournies avec les outils indiqués ici.

Outillage nécessaire

- Tournevis Phillips
- Mètre ruban
- Perceuse manuelle ou électrique (pour l'installation dans un placard mural)
- Foret de 1" (25 mm) (pour l'installation dans un placard mural)
- Niveau

Pièces nécessaires

- Connecteur de conduit (homologation UL ou CSA)
- Connecteurs de fils (homologation UL)

Pièces fournies

- Vis n° 8-14 x 1" - four simple (2), four double (4)
- Évent du fond (fourni sur certains modèles)
- Deux vis n° 8-18 x 3/8" - évent du fond (fourni sur certains modèles)

Consulter les codes locaux. Vérifier l'alimentation électrique existante. Voir "Spécifications électriques".

Il est recommandé de faire réaliser tous les raccordements électriques par un électricien qualifié agréé.

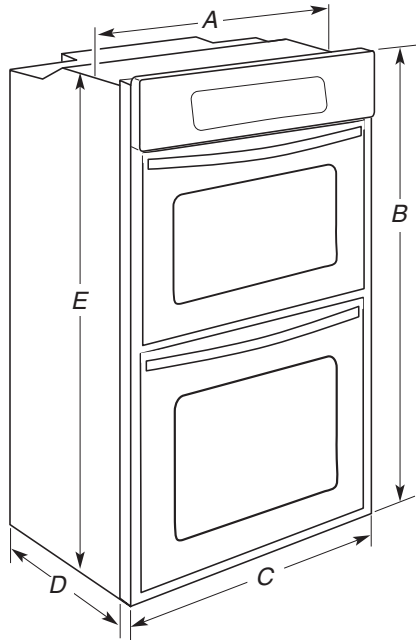
Exigences d'emplacement

IMPORTANT : Observer les dispositions de tous les codes et règlements en vigueur.

- Respecter les dimensions indiquées pour la cavité d'installation entre les placards. Ces dimensions prennent en compte les dégagements de séparation nécessaires.
- L'espace d'installation doit permettre la formation d'une enceinte complète autour de la partie encastrée du four.
- Une source d'électricité avec liaison à la terre est nécessaire. Voir la section "Spécifications électriques".
- Le boîtier de raccordement doit être situé au maximum à 3" (7,6 cm) au-dessous de la surface de support lorsque le four est installé dans un placard mural. Un trou de diamètre 1" (2,5 cm) ou plus doit avoir été percé dans l'angle arrière gauche ou droit de la surface de support pour le passage du câble d'alimentation de l'appareil jusqu'au boîtier de connexion.
- La surface de support du four doit être robuste, horizontale et en affleurement avec le bas de l'ouverture découpée dans le placard. Le plancher doit être capable de supporter un poids total (four à micro-ondes et four encastré) de 238 lb (108 kg).

Dimensions du produit

Fours de 27" (68,6 cm) et 30" (76,2 cm)



Modèles de 27" (68,6 cm)

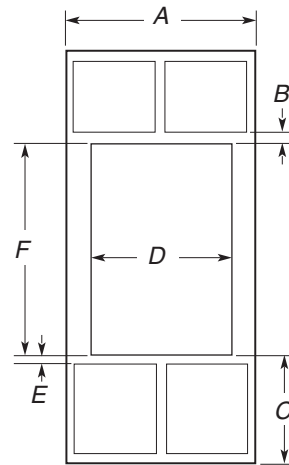
- A. Largeur de l'encastrement
25⁵/₁₆" (64,3 cm)
- B. Hauteur hors-tout
42⁵/₁₆" (107,5 cm)
- C. Largeur hors-tout
26³/₄" (67,9 cm)
- D. Profondeur de l'encastrement
23" (58,4 cm) max.
- E. Hauteur de l'encastrement
40³/₄" (103,5 cm)

Modèles de 30" (76,2 cm)

- A. Largeur de l'encastrement
28⁵/₁₆" (71,9 cm)
- B. Hauteur hors-tout
42⁵/₁₆" (107,5 cm)
- C. Largeur hors-tout
29³/₄" (75,6 cm)
- D. Profondeur de l'encastrement
23" (58,4 cm) max.
- E. Hauteur de l'encastrement
40³/₄" (103,5 cm)

Dimensions du placard

Fours de 27" (68,6 cm) et 30" (76,2 cm)



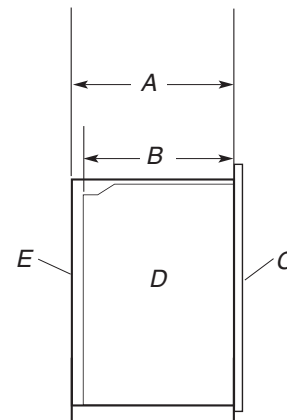
Modèles de 27" (68,6 cm)

- A. Largeur du placard
27" (68,6 cm) min.
- B. 1" (2,5 cm) entre le sommet de l'ouverture et le bas de la porte du placard supérieur
- C. 19¹/₄" (48,9 cm) entre le bas de l'ouverture et le plancher
- D. Largeur de l'ouverture
25¹/₂" (64,8 cm)
- E. 1¹/₂" (3,8 cm) min. entre le bas de l'ouverture et le haut de la porte du placard
- F. Hauteur de l'ouverture
41¹/₄" (104,8 cm)

Modèles de 30" (76,2 cm)

- A. Largeur du placard
30" (76,2 cm) min.
- B. 1" (2,5 cm) entre le sommet de l'ouverture et le bas de la porte du placard supérieur
- C. 19¹/₄" (48,9 cm) entre le bas de l'ouverture et le plancher
- D. Largeur de l'ouverture
28¹/₂" (72,4 cm)
- E. 1¹/₂" (3,8 cm) min. entre le bas de l'ouverture et le haut de la porte du placard
- F. Hauteur de l'ouverture
41¹/₄" (104,8 cm)

Vue latérale du placard



- A. Profondeur de l'ouverture 23¹/₄" (59,1 cm) min.
- B. Profondeur du four encastré 23" (58,4 cm)
- C. Façade du four
- D. Four encastré
- E. Placard

Spécifications électriques

Si on utilise un conducteur distinct de liaison à la terre lorsque les codes le permettent, il est recommandé qu'un électricien qualifié vérifie que la liaison à la terre et le calibre pour fils sont conformes aux codes locaux.

En cas de doute quant à la qualité de la liaison à la terre du four, consulter un électricien qualifié.

Ce four doit être raccordé à un système permanent, métallique de câblage relié à la terre.

S'assurer que la connexion électrique et le calibre des fils sont appropriés et conformes au National Electrical Code, aux normes ANSI/NFPA 70 - dernière édition, ou aux normes CSA C22.1-94, au Code canadien de l'électricité, Partie 1 et C22.2 N° O-M91 - dernière édition, et à tous les codes et règlements locaux.

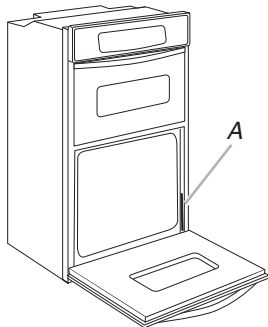
Pour obtenir un exemplaire de la norme des codes ci-dessus, contacter :

National Fire Protection Association
One Batterymarch Park
Quincy, MA 02269
CSA International
8501 East Pleasant Valley Road
Cleveland, OH 44131-5575

Raccordement électrique

Pour installer le four correctement, il faut établir le type de raccords électriques que l'on utilisera et suivre les instructions indiquées ici.

- Le four doit être alimenté par une source d'électricité appropriée (caractéristiques de tension et fréquence spécifiées sur la plaque signalétique). La plaque signalétique est située en bas de la glissière de droite. Voir l'illustration ci-dessous.



A. Plaque signalétique

- Un modèle de 7,3 à 9,6 kW/240 volts (5,5 à 7,2 kW/208 volts) doit être alimenté par un circuit indépendant de 40 A. Un modèle de 7,2 kW ou moins à 240 volts (5,4 kW ou moins à 208 volts) doit être alimenté par un circuit indépendant de 30 A.
- On recommande d'utiliser un disjoncteur ou un fusible temporisé.

- Raccorder l'appareil directement au tableau de distribution par un câble à conducteur de cuivre et gaine métallique flexible ou gaine non métallique (avec conducteur de liaison à la terre). Voir la section "Raccordement électrique".
- Le câble blindé flexible de l'appareil doit être connecté directement dans le boîtier de connexion.
- Installer un fusible pour chaque fil de phase.
- Ne pas couper le conduit. La longueur du conduit fournie est destinée à faciliter l'entretien du four.
- L'installateur doit fournir un connecteur de conduit (homologation UL ou CSA).
- Si le domicile est équipé d'un câblage en aluminium, suivre les instructions suivantes :

- Connecter une section de câble en cuivre massif aux conducteurs en queue de cochon.
- Connecter le câblage en aluminium à la section ajoutée de câblage en cuivre en utilisant des connecteurs et/ou des outils spécialement conçus et homologués UL pour fixer le cuivre à l'aluminium.

Appliquer la procédure recommandée par le fabricant des connecteurs. La connexion aluminium/cuivre doit être conforme aux codes locaux et aux pratiques de câblage acceptées par l'industrie.

INSTRUCTIONS D'INSTALLATION

Préparation de l'ensemble des fours encastrés (micro-ondes/conventionnel)

- Choisir l'emplacement final pour l'installation du four. Repérer le câblage existant pour éviter de le percer ou de l'endommager lors de l'installation.

AVERTISSEMENT

Risque du poids excessif

Utiliser deux ou plus de personnes pour déplacer et installer le four.

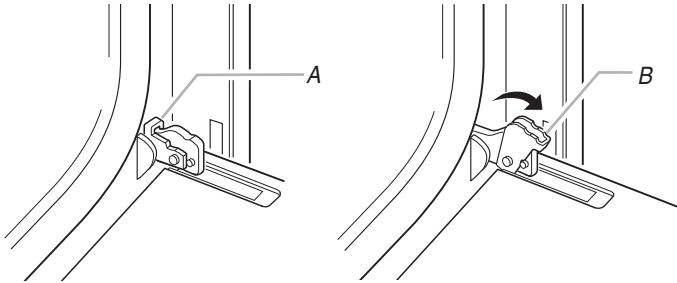
Le non-respect de cette instruction peut causer une blessure au dos ou d'autre blessure.

- Pour éviter d'endommager le plancher, placer le four sur une feuille de carton avant l'installation. Lors des opérations de levage, ne pas prendre prise sur la poignée ou sur une autre partie du châssis avant.
- Enlever les matériaux d'emballage et les rubans adhésifs du four.
- Enlever le matériel à l'intérieur du sachet de documentation.
- Enlever et conserver à part les grilles et autres composants qu'on trouve à l'intérieur du four.
- Approcher le four et le carton de l'emplacement final du four.

Dépose de la porte du four

IMPORTANT : Employer les deux mains pour enlever la/les porte(s) du four.

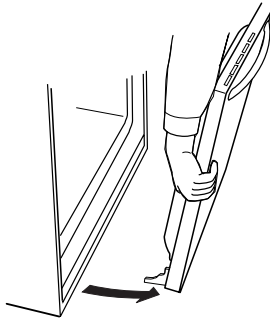
1. Ouvrir la porte du four.
2. Identifier les charnières de la porte du four dans les deux angles de la porte; faire pivoter les charnières vers l'avant jusqu'à la position de déverrouillage.



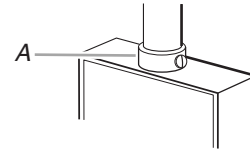
A. Porte du four - position de verrouillage

B. Porte du four - position de déverrouillage

3. Saisir les bords de la porte du four avec les deux mains et effectuer une manœuvre de fermeture de la porte du four, jusqu'à la position où la fermeture de la porte n'est plus possible. Soulever et tirer la porte du four vers soi et enlever la porte. Conserver la/les porte(s) du four à part sur une surface de travail couverte.



2. Faire passer le conduit de câble flexible depuis le four à travers l'ouverture dans le placard.
3. Le cas échéant, enlever le couvercle du boîtier de connexion.
4. Installer un connecteur de conduit (homologation UL ou CSA) sur le boîtier de connexion.



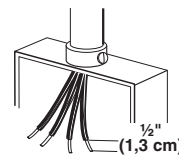
A. Connecteur de conduit (homologation UL ou CSA)

5. Acheminer le conduit de câble flexible depuis le four jusqu'au boîtier de connexion - utiliser un connecteur de conduit (homologation UL ou CSA).
6. Serrer les vis sur le connecteur de conduit.
7. Voir "Tableau des options de raccordement électrique" pour terminer l'installation correspondant à votre type de raccordement électrique.

Tableau des options de raccordement électrique

Câblage de la maison :

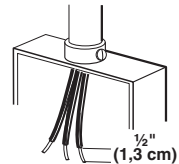
4 conducteurs



Voir la section :

Câble à 4 conducteurs depuis le point de distribution du domicile

3 conducteurs



Câble à 3 conducteurs depuis le point de distribution du domicile

Raccordement électrique

⚠ AVERTISSEMENT



Risque de choc électrique

Déconnecter la source de courant électrique avant d'entreprendre le travail.

Utiliser du fil en cuivre rigide de calibre 8.

Relier le four à la terre.

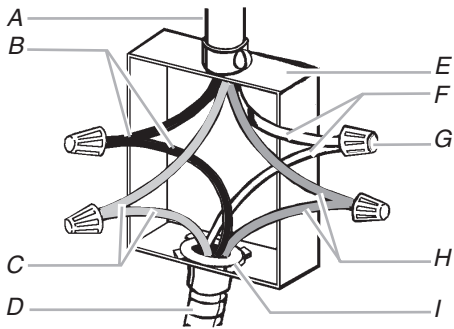
Le non-respect de ces instructions peut causer un décès, un incendie ou un choc électrique.

Câble à 4 conducteurs depuis le point de distribution du domicile

IMPORTANT : Utiliser le câble à 4 conducteurs provenant du point de distribution du domicile aux États-Unis lorsque les codes ne permettent pas la mise à la terre par l'intermédiaire du conducteur neutre, en cas de nouvelle installation avec alimentation par un circuit secondaire (1996 NEC), dans les résidences mobiles et les véhicules récréatifs, dans les nouvelles constructions, et au Canada.

Le câblage d'alimentation de ce four comporte un conducteur neutre (blanc) et un conducteur vert (ou nu) de liaison à la terre connecté à la caisse; ces deux conducteurs sont torsadés.

1. Déconnecter la source de courant électrique.

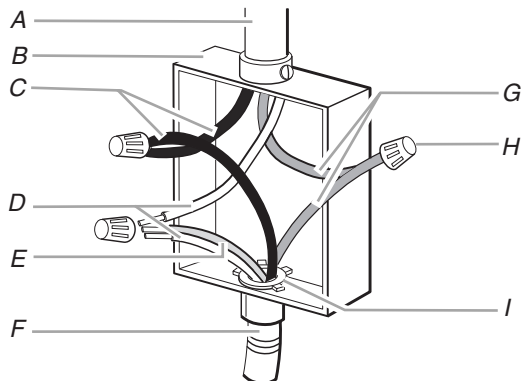


- | | |
|--|---|
| A. Câble depuis le point de distribution du domicile | F. Conducteurs blancs |
| B. Conducteurs noirs | G. Connecteurs de fils (homologation UL) |
| C. Conducteurs rouges | H. Conducteurs verts (ou nus) de liaison à la terre |
| D. Câble flexible à 4 conducteurs depuis le four | I. Connecteur de conduit (homologation UL ou CSA) |
| E. Boîtier de connexion | |

1. Connecter ensemble les 2 conducteurs noirs (B) avec un connecteur de fils (homologation UL).
2. Connecter ensemble les 2 conducteurs rouges (C) avec un connecteur de fils (homologation UL).
3. Détorsader le conducteur blanc du conducteur vert (ou nu) de liaison à la terre provenant du four.
4. Connecter ensemble les 2 conducteurs blancs (F) avec un connecteur de fils (homologation UL).
5. Connecter le conducteur vert (ou nu) de liaison à la terre (H) du câble du four au conducteur vert (ou nu) de liaison à la terre dans le boîtier de connexion - utiliser un connecteur de fils (homologation UL).
6. Installer le couvercle du boîtier de connexion.

Câble à 3 conducteurs depuis le point de distribution du domicile - É.-U. seulement

IMPORTANT : Utiliser le câble à 3 conducteurs depuis le point de distribution du domicile lorsque les codes locaux autorisent un tel raccordement.



- | | |
|---|---|
| A. Câble depuis le point de distribution du domicile | F. Câble flexible à 4 conducteurs depuis le four |
| B. Boîtier de connexion | G. Conducteurs rouges |
| C. Conducteurs noirs | H. Connecteurs de fils (homologation UL) |
| D. Conducteurs blancs | I. Connecteur de conduit (homologation UL ou CSA) |
| E. Conducteur vert (ou nu) de liaison à la terre (depuis le four) | |

1. Connecter ensemble les 2 conducteurs noirs (C) avec un connecteur de fils (homologation UL).
2. Connecter les 2 conducteurs blancs (D) et le conducteur vert ou nu de liaison à la terre (du câble du four) avec un connecteur de fils (homologation UL).

3. Connecter ensemble les 2 conducteurs rouges (G) avec un connecteur de fils (homologation UL).
4. Installer le couvercle du boîtier de connexion.

Installation du four

⚠ AVERTISSEMENT

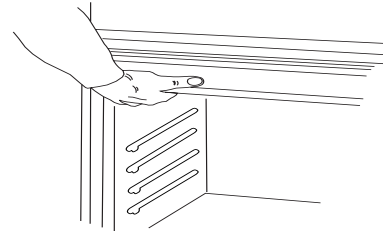
Risque du poids excessif

Utiliser deux ou plus de personnes pour déplacer et installer le four.

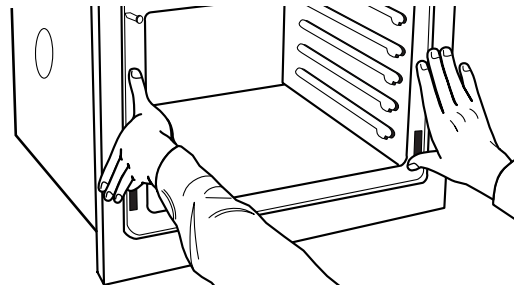
Le non-respect de cette instruction peut causer une blessure au dos ou d'autre blessure.

1. À l'aide de 2 personnes ou plus, soulever partiellement le four pour l'introduire dans l'ouverture d'installation dans le placard; utiliser l'ouverture du four comme zone de prise.

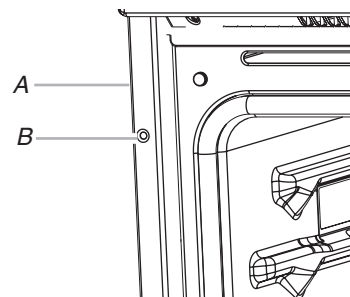
REMARQUE : Pousser le four pour l'introduire dans le placard en poussant contre la zone du joint du four sur le châssis avant. Ne pas pousser contre les bords externes.



2. Pousser contre la zone du joint du châssis avant pour introduire le four dans le placard.



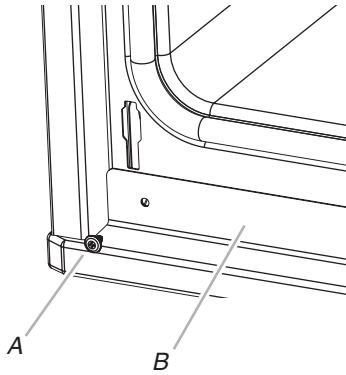
3. Pousser complètement le four dans le placard; centrer le four dans la cavité du placard.
4. Fixer solidement le four sur les éléments du placard avec les vis n° 8-14 x 1" fournies (2 pour un four simple, 4 pour un four double). Insérer les vis à travers les trous des rails de montage. Ne pas serrer excessivement les vis.



- A. Rail de montage
B. Insérer la vis n° 8-14 x 1".

5. Sur certains modèles, l'évent du four est immobilisé avec du ruban adhésif sur le côté du four.

Avec une vis n° 8-14 x 3/8" pour chaque côté de l'évent, fixer solidement l'évent au four.



A. Vis n° 8-14 x 3/8"
B. Évén du four

6. Réinstaller les grilles du four.
7. Réinstaller la porte du four - insérer les extrémités des charnières dans les ouvertures destinées à les recevoir sur le châssis du four.
8. Enfoncer les charnières aussi loin qu'elles peuvent aller et ouvrir la porte du four. On doit percevoir le mouvement de mise en place de la porte du four.
9. Faire pivoter les deux charnières jusqu'à la position de verrouillage.
10. Effectuer quelques manœuvres d'ouverture/fermeture de la porte du four pour vérifier le bon fonctionnement. En cas d'impossibilité d'ouverture ou de fermeture parfaite de la porte, répéter le processus de dépose et d'installation de la porte. Voir la section "Dépose de la porte du four".
11. Reconnecter la source de courant électrique.
12. Le tableau d'affichage s'allumera brièvement et "PF" devrait s'afficher.
13. Si le tableau d'affichage ne s'allume pas, consulter la section "Assistance ou service" du Guide d'utilisation et d'entretien ou contacter le marchand qui vous a vendu le four.

Achever l'installation

1. Vérifier que toutes les pièces sont maintenant installées. S'il reste une pièce, passer en revue les différentes étapes pour découvrir laquelle aurait été oubliée.
2. Vérifier la présence de tous les outils.
3. Jeter/recycler tous les matériaux d'emballage.
4. Pour l'utilisation et le nettoyage du four, lire le Guide d'utilisation et d'entretien.

Vérification du fonctionnement du four inférieur

1. Mettre l'appareil sous tension.
2. Lorsque "CLOCK ENTER TIME" apparaît sur l'afficheur du four inférieur, appuyer sur START (mise en marche).

3. Appuyer sur BROIL (cuisson au grill).
4. Appuyer sur START (mise en marche).

Si le four ne fonctionne pas, contrôler ce qui suit :

- Les fusibles du domicile sont intacts et serrés; le disjoncteur n'est pas déclenché.
 - La prise de courant est correctement alimentée.
 - Voir la section "Dépannage" dans le Guide d'utilisation et d'entretien.
5. Après 5 minutes de fonctionnement du four, vérifier l'émission de chaleur.
Si aucune émission de chaleur n'est perceptible, ou si un code d'anomalie ("F" suivi d'un chiffre plus "E" suivi d'un chiffre) apparaît sur l'afficheur, interrompre l'alimentation du four et contacter un technicien qualifié.
 6. Appuyer sur LOWER OVEN OFF (arrêt du four inférieur).

Vérification du fonctionnement du four à micro-ondes

1. Remplir un contenant adapté aux micro-ondes avec 1 tasse (250 mL) d'eau et placer le contenant dans le four à micro-ondes. Bien fermer la porte.
2. Régler le four à micro-ondes pour une durée de cuisson de "2:00" minutes.
3. Appuyer sur START (mise en marche). La lampe intérieure du four à micro-ondes doit s'allumer et la durée de cuisson restante doit s'afficher sur l'afficheur du four supérieur.
Si le four à micro-ondes ne fonctionne pas, contrôler ce qui suit :
 - Les fusibles du domicile sont intacts et serrés; le disjoncteur n'est pas déclenché.
 - La prise de courant est correctement alimentée.
 - Voir la section "Dépannage" dans le Guide d'utilisation et d'entretien.Lorsque l'afficheur indique "1:00" minute, ouvrir la porte du four à micro-ondes. La cuisson par les micro-ondes devrait cesser. Bien fermer la porte. La lampe intérieure du four à micro-ondes doit s'éteindre.
4. Appuyer sur START pour poursuivre le programme pré-réglé. Le four à micro-ondes doit commencer la cuisson et la lampe intérieure du four à micro-ondes doit être allumée.
Laisser le four à micro-ondes terminer la durée de cuisson. Un signal sonore retentit 3 fois à la fin de la durée de cuisson et le four à micro-ondes s'éteint.
5. Ouvrir la porte du four à micro-ondes et retirer lentement le contenant. L'eau dans le contenant doit être chaude.

Si vous avez besoin d'assistance ou de service :

Consulter la section "Assistance ou service" du Guide d'utilisation et d'entretien ou contacter le marchand chez qui le four encastré et le four à micro-ondes ont été achetés.