

# KitchenAid® Freestanding Dual Fuel Range



Stainless Steel  
KDRU707VSS

## Industry Exclusive Dual-Fan Convection with Steam-Assist Technology

This system consists of a 2800-watt hidden oven element and two round fans that circulate heated air to provide even cooking on all three racks. Steam-assist cooking helps ensure tender, moist results and enhances flavor.

## Most Powerful Burner Available in the Industry\*

A burner with two levels of flame that delivers precise, versatile control for a range of high-to-low heat outputs. The 20K BTU Ultra Power™ Dual-Flame Burner reaches a maximum output of 20,000 BTUs, a low output of 1,300 BTUs, and everything in between.

\*Among leading brands.

## Commercial-Style Design

The heavy-duty single burner cast-iron grates combine to create a continuous surface that's easy to clean and allows easy movement of cookware. Robust black die-cast metal knobs and a stainless steel handle with die-cast end caps complete the commercial-style design.

## Commercial-Style

### KDRU707V – 30-Inch

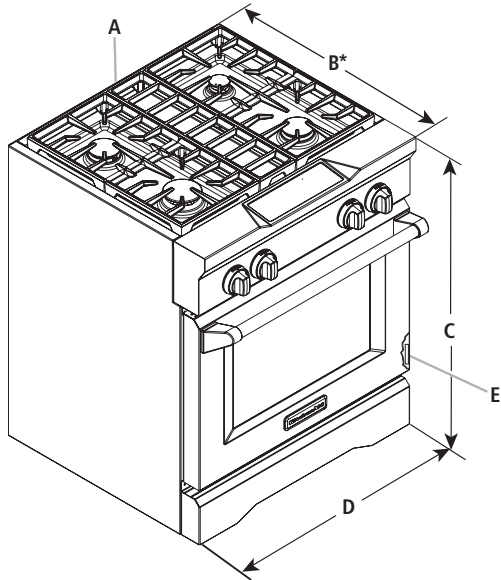
- Dual-Fan Convection with Steam-Assist Technology – Configured for Direct Plumbing
- Auto and Manual Steam Settings
- EasyConvect™ Time and Temperature Conversion System
- Convection Bake, Convection Roast, Convection Broil
- 4 Sealed Burners
- 20K BTU Ultra Power™ Dual-Flame Burner
- Two 15K BTU Professional Burners
- 5K BTU Simmer/Melt Burner
- Electronic Ignition and Automatic Reignition
- 3000-Watt CleanBake™ Hidden Element
- Closed-Door Broil with Full and Center Settings
- 8-Pass, 5500-Watt Broil Element
- True-Broil® Reflector
- Self-Cleaning System with Soil Level/Time Selection
- Temperature Probe
- Bread Proofing
- Sabbath Mode
- Glass-Touch Menu-Driven LCD Display
- Control Lock Function
- SatinGlide™ Roll-Out Extension Rack with Handle
- Hefty Slide-Out Racks with Handle
- 3 Halogen Oven Lights
- Continuous Cooktop Surface with Heavy-Duty Single Grates
- Robust Black Die-Cast Metal Knobs
- Commercial-Style Handle with Die-Cast End Caps
- Culinary Ledge
- Removable Decorative Toe Kick
- Island Trim
- LP Conversion Kit\*
- 4.1 Cu. Ft. Oven Capacity
- Accepts Optional Accessories: Architect® Series II Handle Kit, Stainless Steel Knob Kit, Backguard, High Altitude Kit (see chart on back)
- Stainless Steel (SS)

\*Manufactured for use with natural gas.

# KitchenAid® Freestanding Dual Fuel Range

KDRU707V

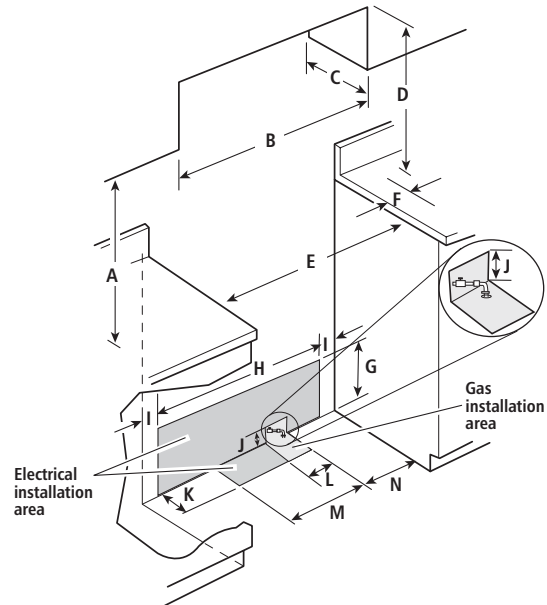
## PRODUCT DIMENSIONS



- A. Optional backguard may be installed
- B. 27 $\frac{3}{4}$ " depth with control panel
- C. 35 $\frac{3}{4}$ " cooktop height when setting on the wheels
- D. 29 $\frac{3}{4}$ " width
- E. Model/serial rating plate location

\*NOTE: When installed in a 24" base cabinet with 25" countertop, front of oven door protrudes 1 $\frac{1}{8}$ " beyond 24" base cabinet.

## CUTOUT DIMENSIONS



- A. 18" upper cabinet to countertop
- B. 30" min. upper cabinet width
- C. 13" max. upper cabinet depth
- D. 30" min. clearance between top of cooking platform and bottom of uncovered wood or metal cabinet
- E. 30"
- F. 6" min. clearance from both sides of range to side wall or other combustible material
- G. 15"
- H. 22"
- I. 1 $\frac{1}{2}$ "
- J. 3"
- K. 5"
- L. 6"
- M. 10 $\frac{1}{2}$ "
- N. 6"

ACCESSORIES	PART NO.
Architect® Series II Handle Kit	W10188342
Stainless Steel Knob Kit (4 Knobs)	W10231702
9-Inch Backguard	W10115773
Backguard with Dual-Position Shelf	W10225950
Adjustable Backguard	8285148
High Altitude Kit (Natural Gas)	W10160841
High Altitude Kit (LP)	W10237848

### Important Installation Information Regarding the Steam Function

The steam function on this range is configured for direct plumbing to a nearby water supply. Included with the product are the water filter housing, one water filter, a small section of copper tubing at the back of the range, and a water supply union to attach the copper tubing to the water supply line. Water supply lines are not included. The water filtration system should be installed upright and adjacent to the range near the cold water supply pipe under the kitchen sink.

See Installation Instructions for complete details.

Dimensions are for planning purposes only. For complete details, see Installation Instructions packed with product. Specifications subject to change without notice.

For additional information about KitchenAid® appliances, visit [KitchenAid.com](http://KitchenAid.com) or call the Customer Experience Center at 800-422-1230. We'll help you select the ideal model, answer questions about appliance operation and performance, and give you a point of contact should you ever need service.

**KitchenAid®**  
FOR THE WAY IT'S MADE®

©Registered trademark/™ Trademark of KitchenAid, U.S.A.  
©2009. All rights reserved.

KitchenAid • Benton Harbor, Michigan 49022 U.S.A.